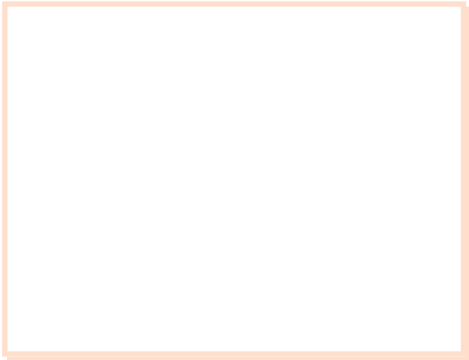


## EPE6380S

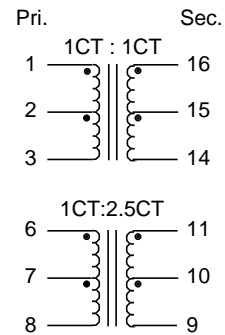


- Complies with or exceeds IEEE 802.3 Base-T Requirements •

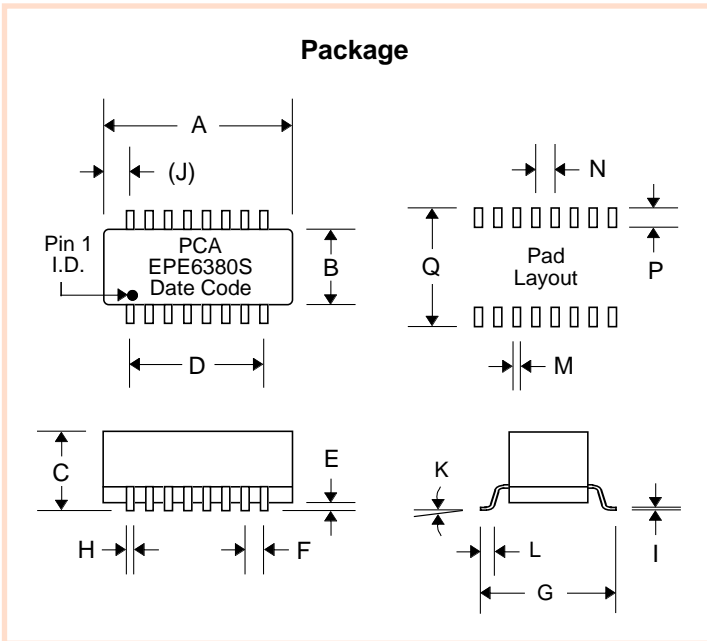
### Electrical Parameters @ 25° C

Primary OCL ( $\mu\text{H}$ Min.) @ 100 KHz, 100m Vrms		Interwinding Capacitance (pF Max.) @ 100 KHz, 100m Vrms	Leakage Inductance ( $\mu\text{H}$ Max.) @ 100 KHz, 100m Vrms	Hipot (Vrms)	DCR ( $\Omega$ Max.)
200	35	15	0.4	2000	0.5
Pins 1 to 3	Pins 6 to 8				

### Schematic



### Package



### Dimensions

Dim.	(Inches)			(Millimeters)		
	Min.	Max.	Nom.	Min.	Max.	Nom.
A	.480	.500	.490	12.19	12.70	12.95
B	.260	.280	.270	6.60	7.11	6.86
C	.180	.200	.190	4.57	5.08	4.85
D	---	---	.350	---	---	8.89
E	.010	.015	.012	.254	.381	.305
F	---	---	.050	---	---	1.27
G	.355	.375	.365	9.02	9.53	9.27
H	.016	.022	.019	.406	.559	4.83
I	---	---	.010	---	---	.254
(J)	---	---	.070	---	---	1.78
K	0°	8°	4°	0°	8°	4°
L	.025	.045	.035	.635	1.14	.889
M	---	---	.025	---	---	.762
N	---	---	.050	---	---	1.27
P	---	---	.075	---	---	1.91
Q	---	---	.420	---	---	10.67